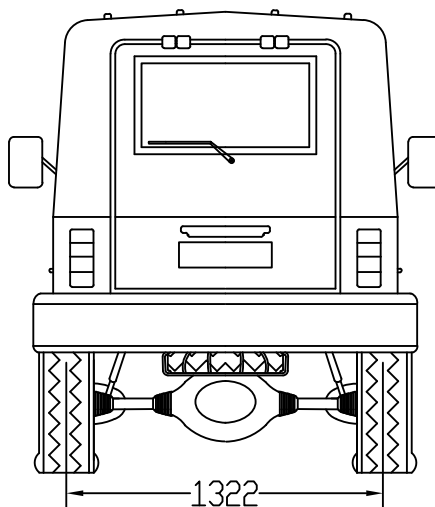
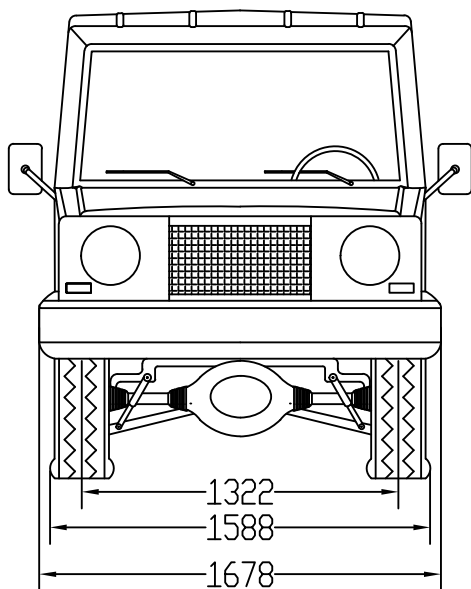
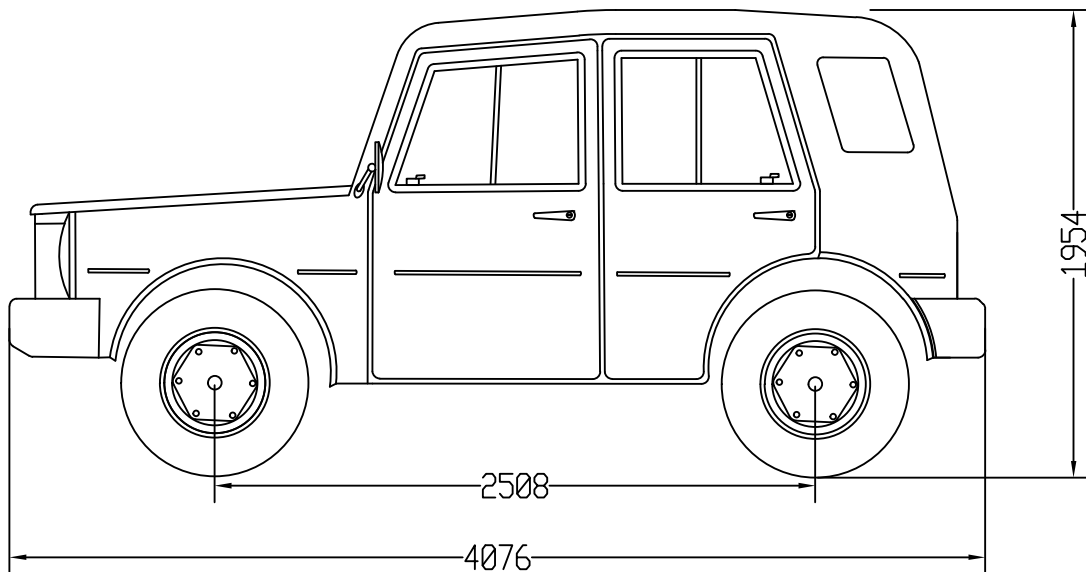


NOTE
ALL DIMENSION IN MM



NAY - ELLIOT INC.	
PROJECT	
RURAL TRANSPORTER	
DATE	SCALE
OCT. 5 2016	1 : 25
DRAWN AND DESIGN BY	DRG NUMBER
ELLIOT FAMUTIMI	NEL100116